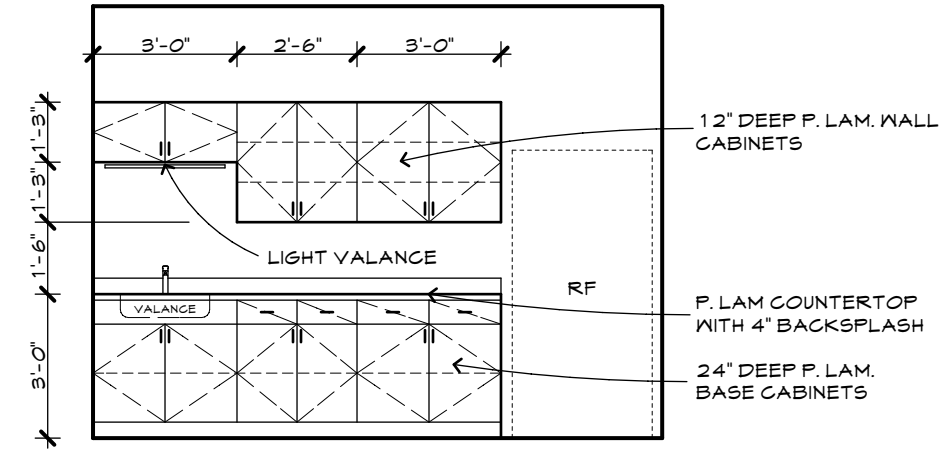
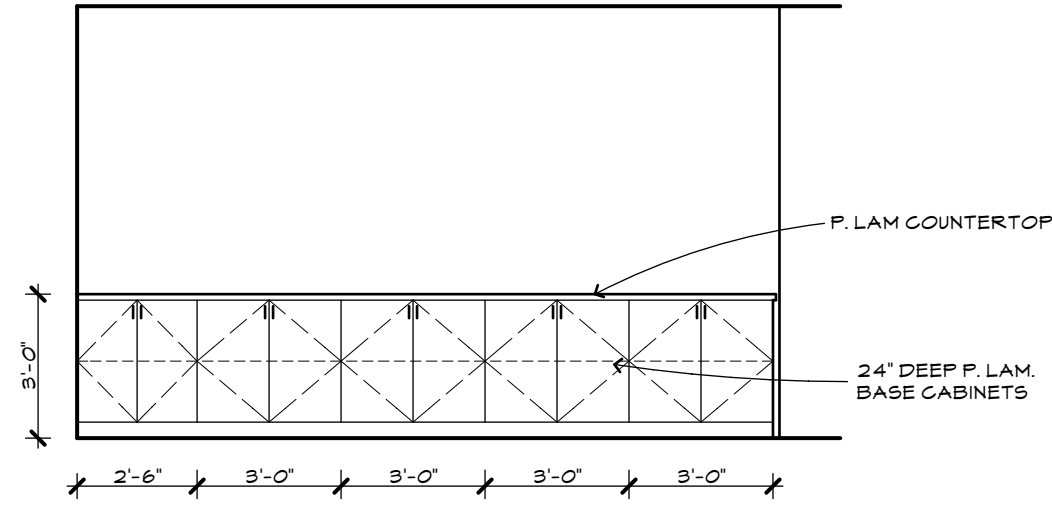


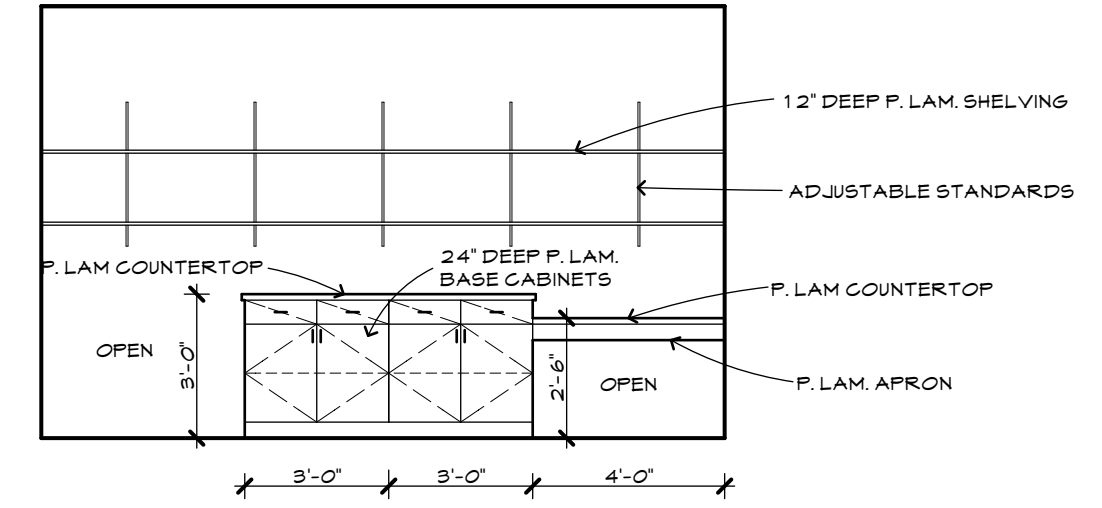
**1 INTERIOR ELEVATION - RM 120**  
Scale 1/4" = 1' - 0"



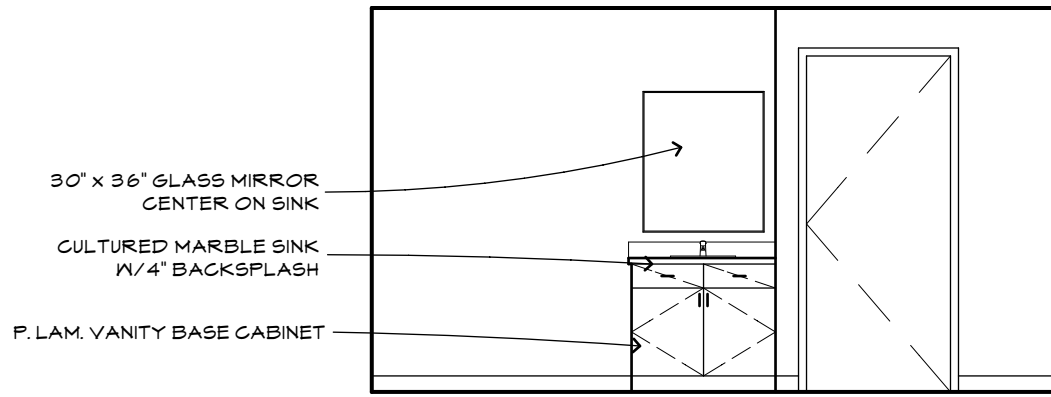
**2 INTERIOR ELEVATION - RM 113**  
Scale 1/4" = 1' - 0"



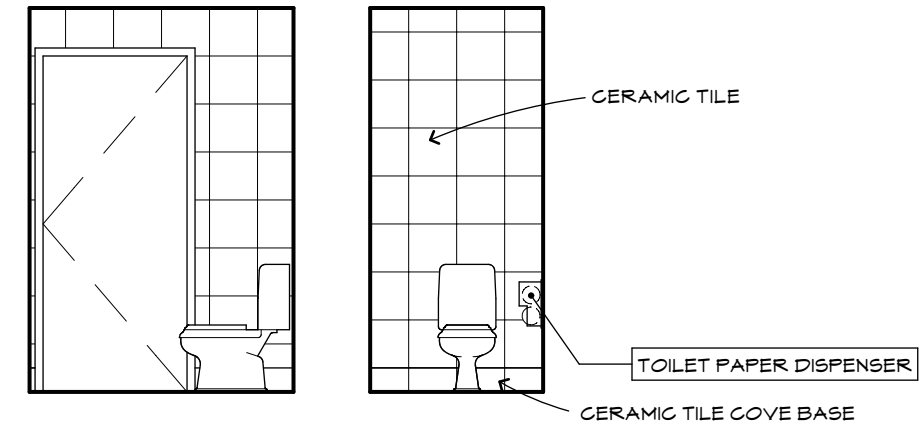
**3 INTERIOR ELEVATION - RM 115**  
Scale 1/4" = 1' - 0"



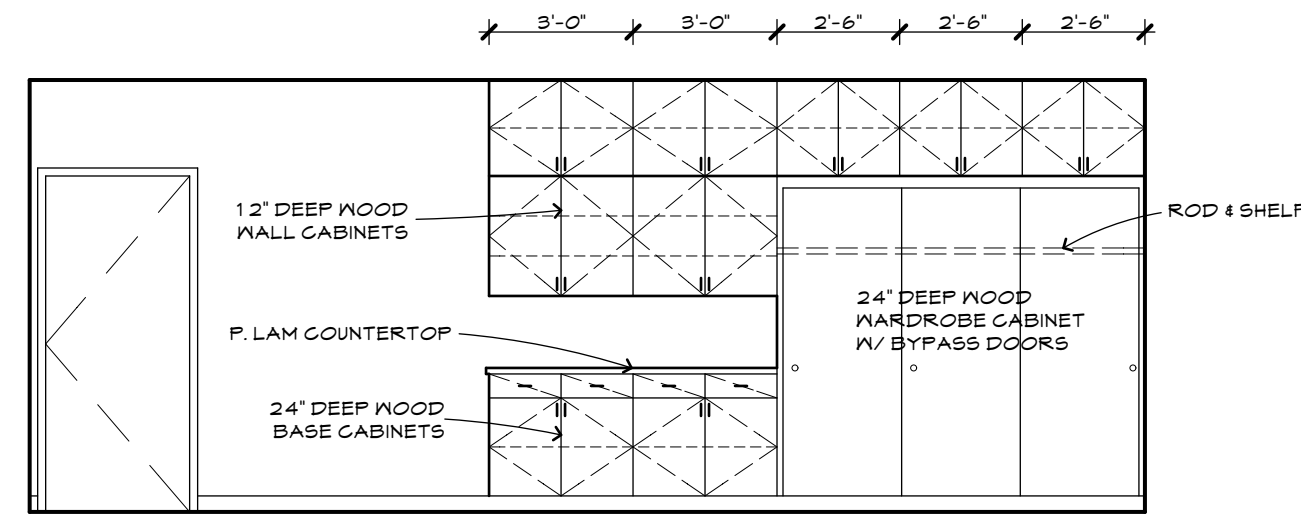
**4 INTERIOR ELEVATION - RM 103**  
Scale 1/4" = 1' - 0"



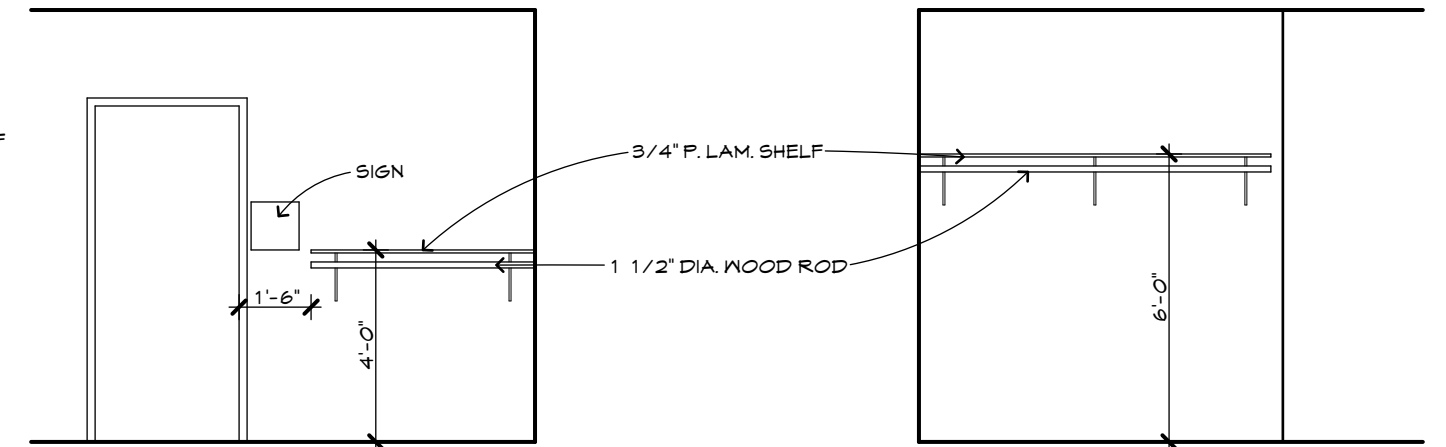
**5 INTERIOR ELEVATION - RM 107**  
Scale 1/4" = 1' - 0"



**6 INTERIOR ELEVATION - RM 107B**  
Scale 1/4" = 1' - 0"



**7 INTERIOR ELEVATION - RM 116**  
Scale 1/4" = 1' - 0"



**8 INTERIOR ELEVATION - RM 101**  
Scale 1/4" = 1' - 0"

**PEACE LUTHERAN CHURCH**  
1000 Red River Avenue North  
Cold Spring, MN 56320

REVISION DATE

I hereby certify that this plan, specification, or report was prepared by me or under my direct supervision and that I am a duly Licensed Architect under the laws of the State of Minnesota.

Print Name: Lon Negen  
Signature:

Date: March 31, 2010 License No: 41402

Interior Elevations

COMM. NO.:  
SCALE:  
DATE: MARCH 31, 2010  
DRAWN BY: LAE

Construction Document

**A7.3**