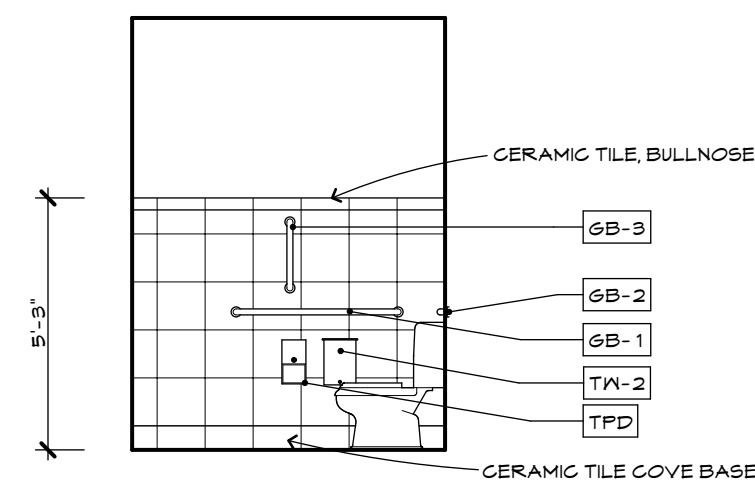
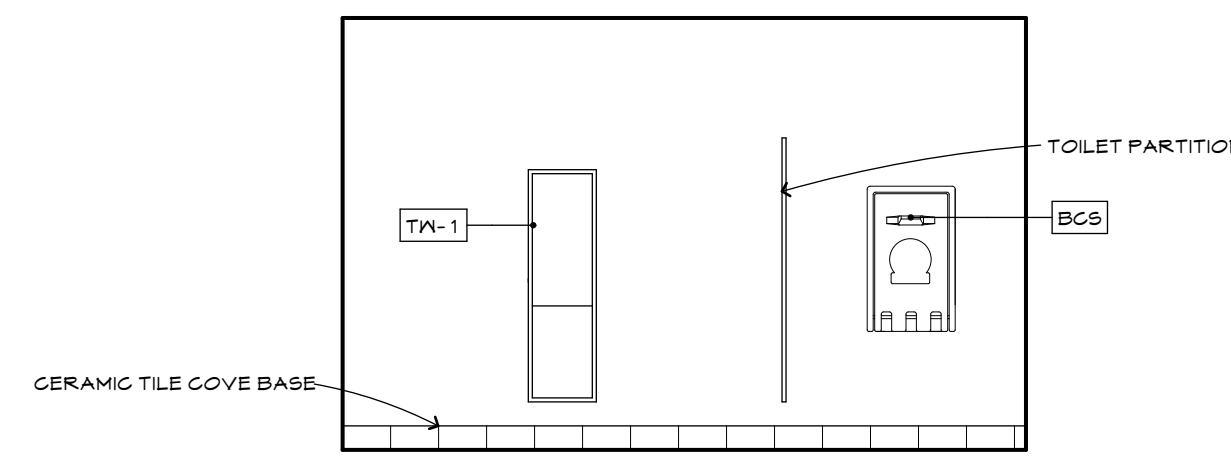


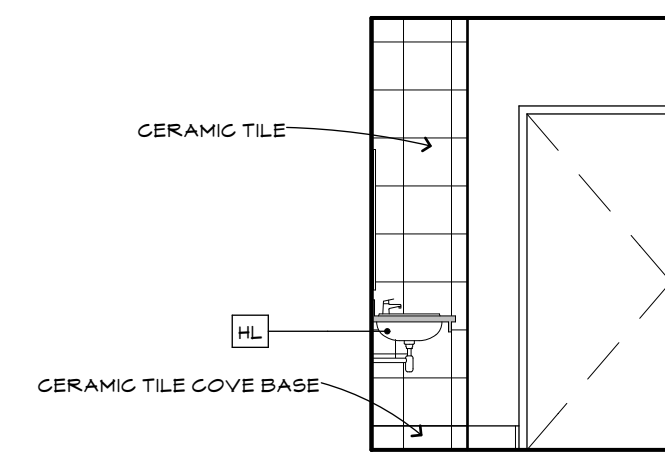
1
A7.2 INTERIOR ELEVATION - RM 108
Scale 1/4" = 1' - 0"



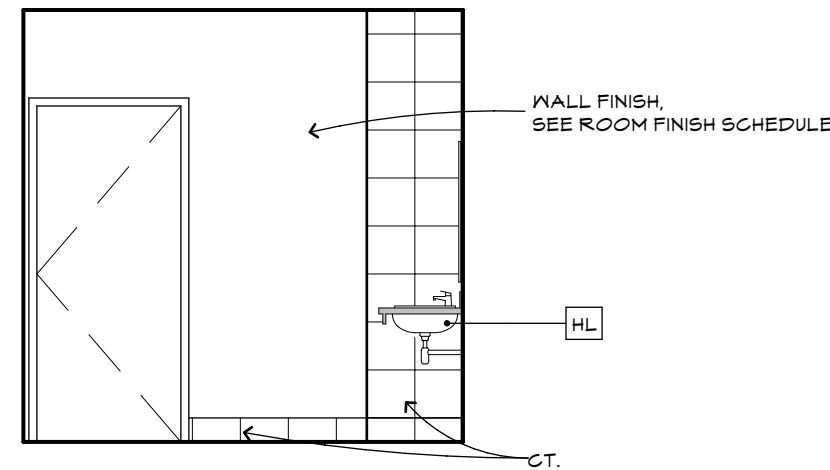
2
A7.2 INTERIOR ELEVATION - RM 108
Scale 1/4" = 1' - 0"



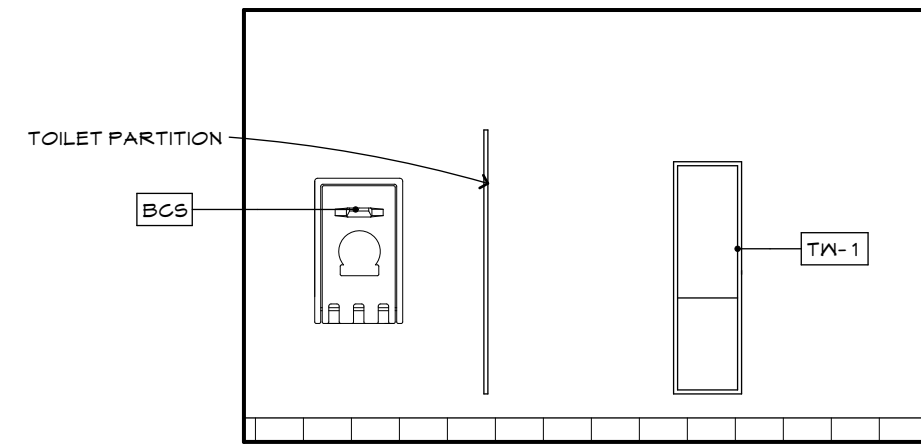
3
A7.2 INTERIOR ELEVATION - RM 108
Scale 1/4" = 1' - 0"



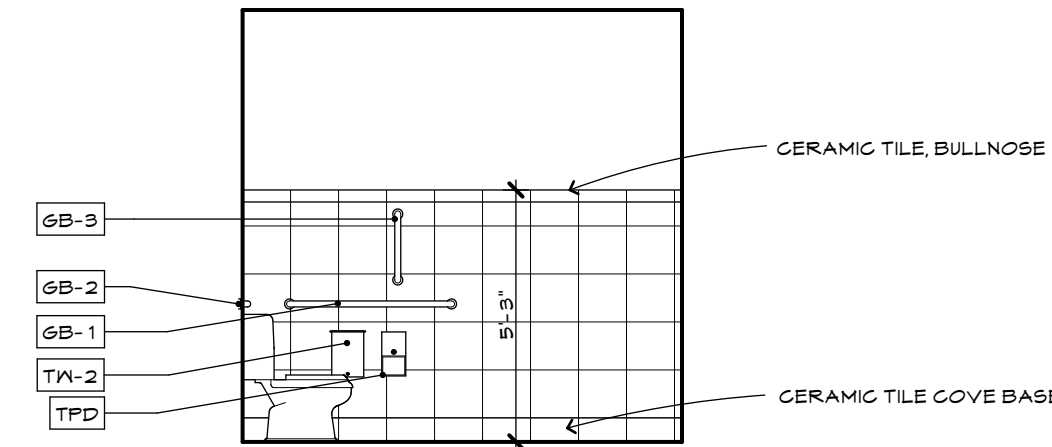
4
A7.2 INTERIOR ELEVATION - RM 108
Scale 1/4" = 1' - 0"



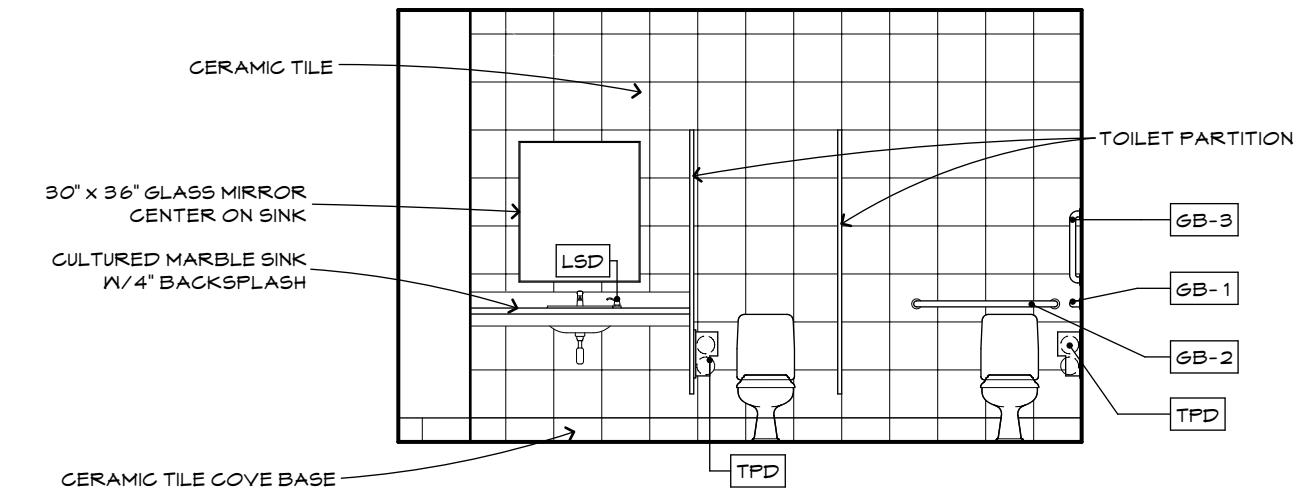
5
A7.2 INTERIOR ELEVATION - RM 109
Scale 1/4" = 1' - 0"



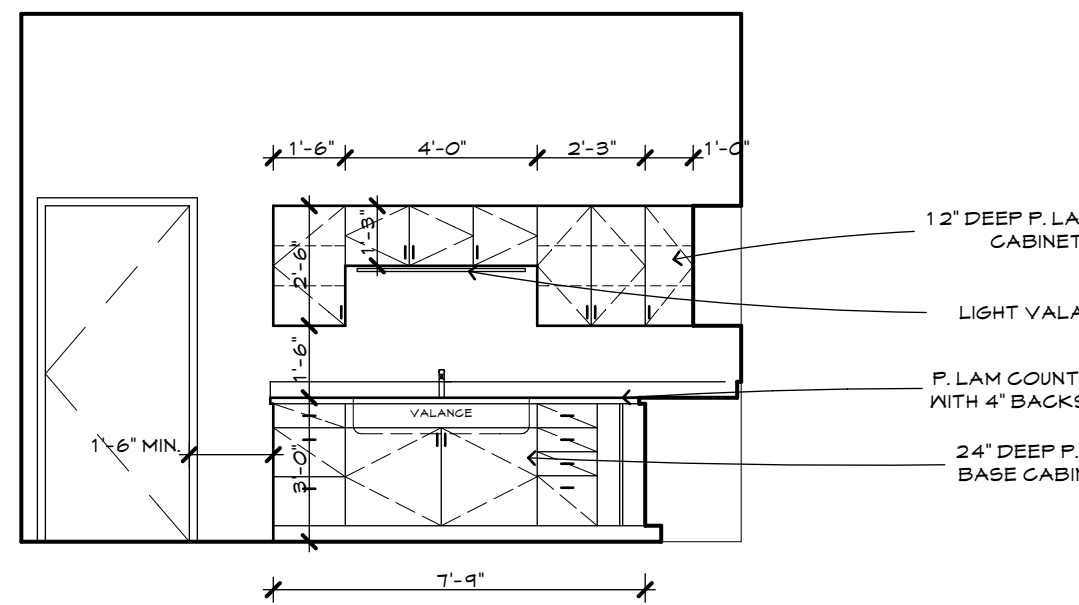
6
A7.2 INTERIOR ELEVATION - RM 109
Scale 1/4" = 1' - 0"



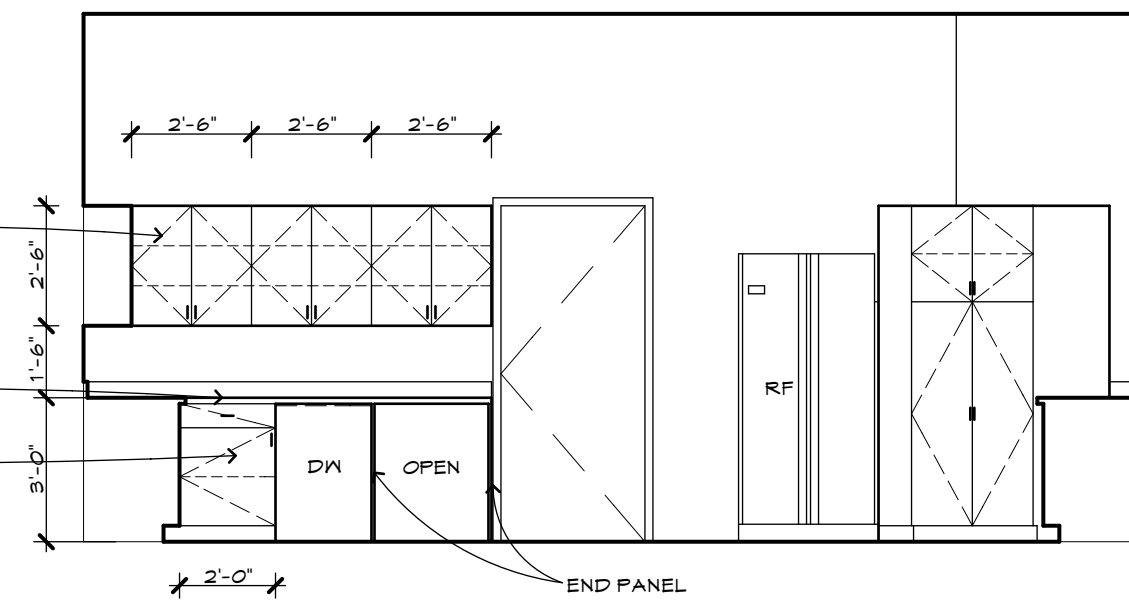
7
A7.2 INTERIOR ELEVATION - RM 109
Scale 1/4" = 1' - 0"



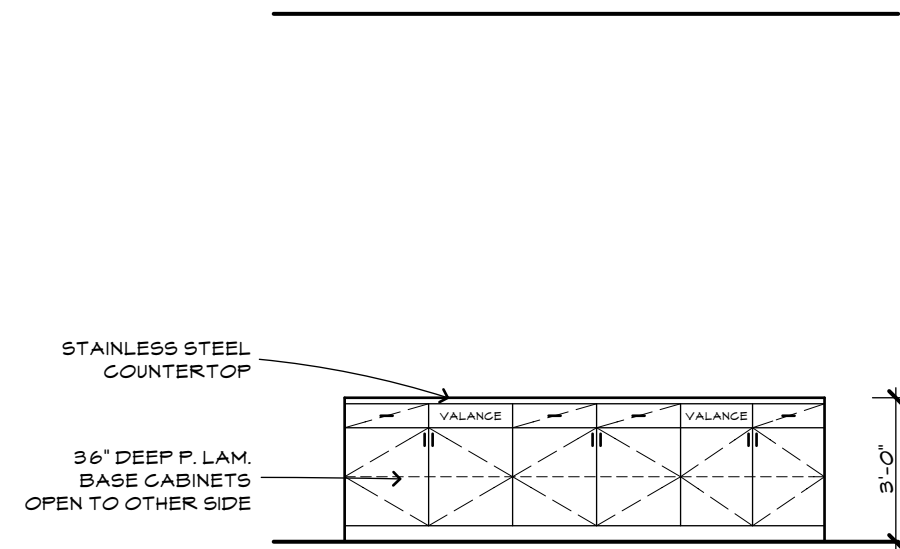
8
A7.2 INTERIOR ELEVATION - RM 109
Scale 1/4" = 1' - 0"



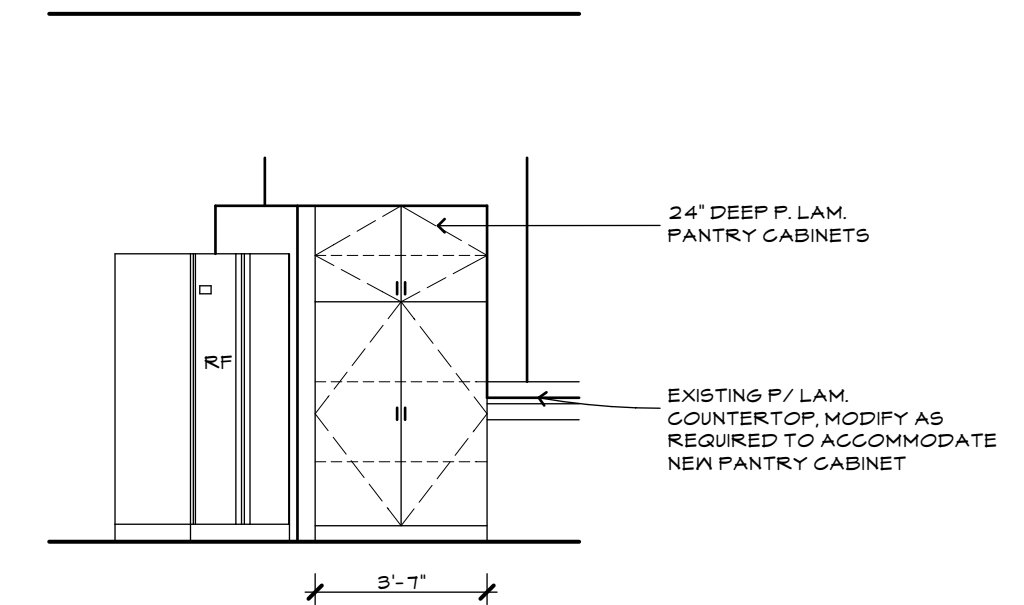
9
A7.2 INTERIOR ELEVATION - RM 117
Scale 1/4" = 1' - 0"



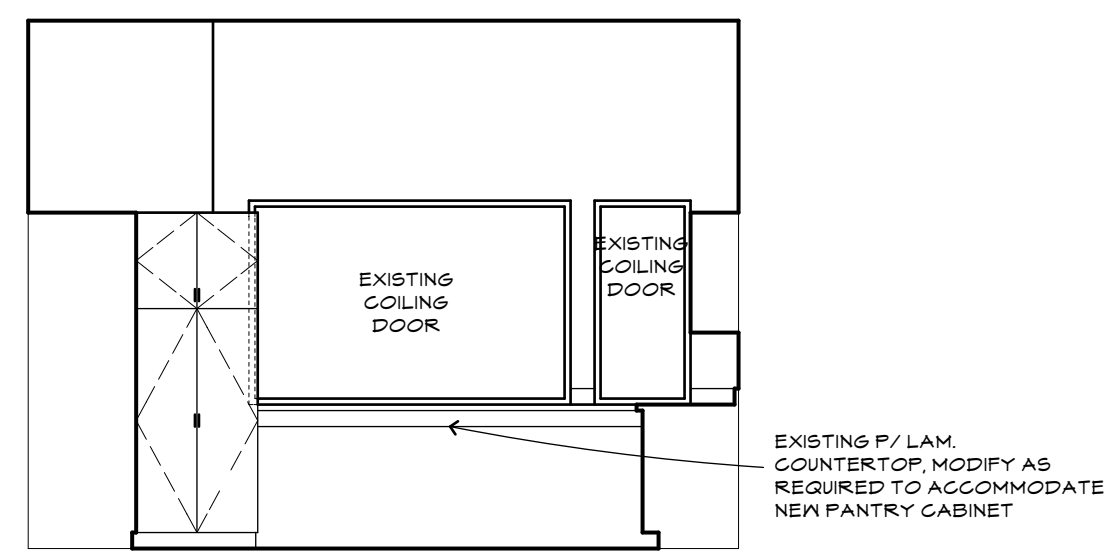
10
A7.2 INTERIOR ELEVATION - RM 117
Scale 1/4" = 1' - 0"



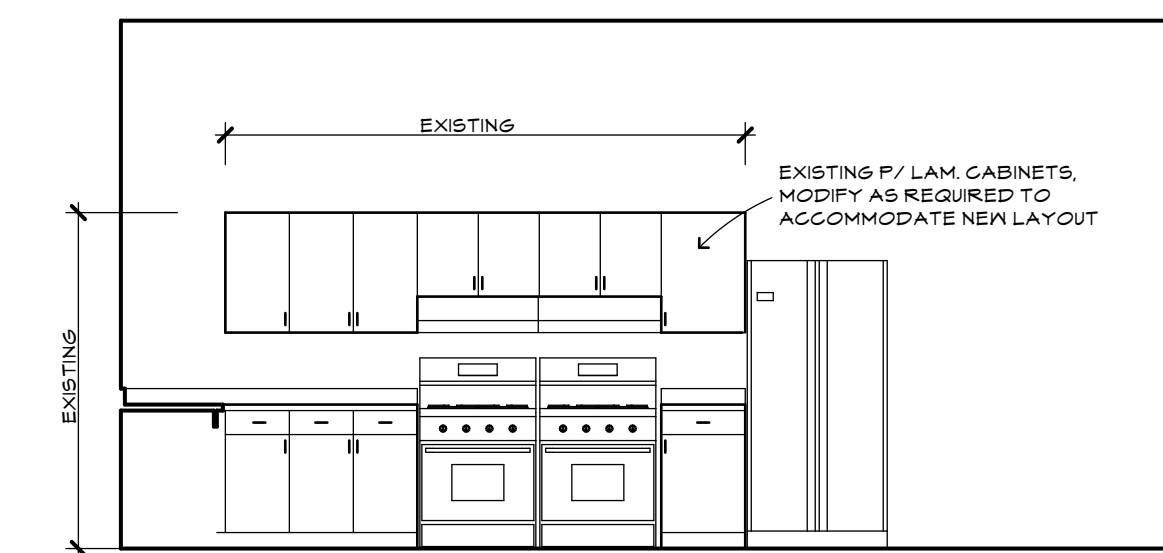
11
A7.2 INTERIOR ELEVATION - RM 117
Scale 1/4" = 1' - 0"



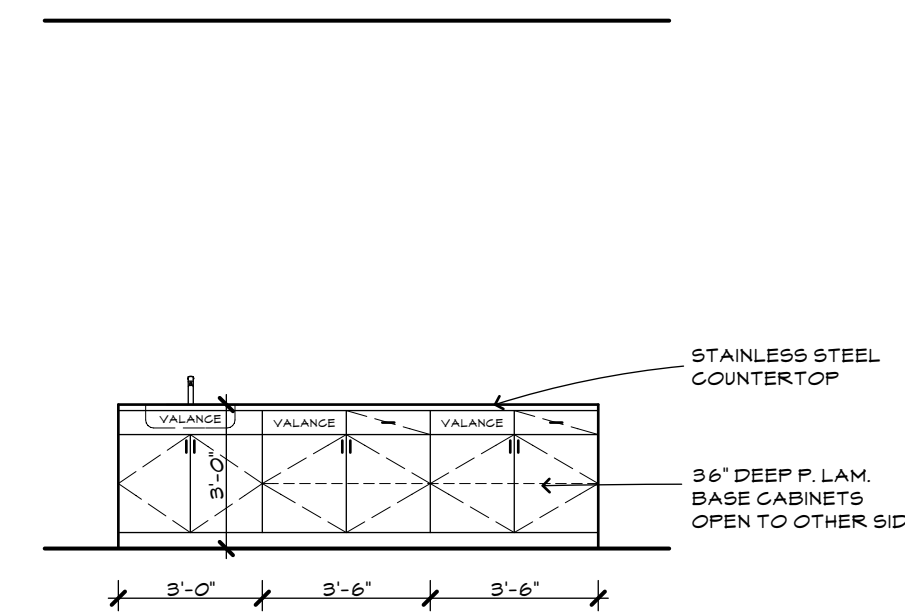
12
A7.2 INTERIOR ELEVATION - RM 117
Scale 1/4" = 1' - 0"



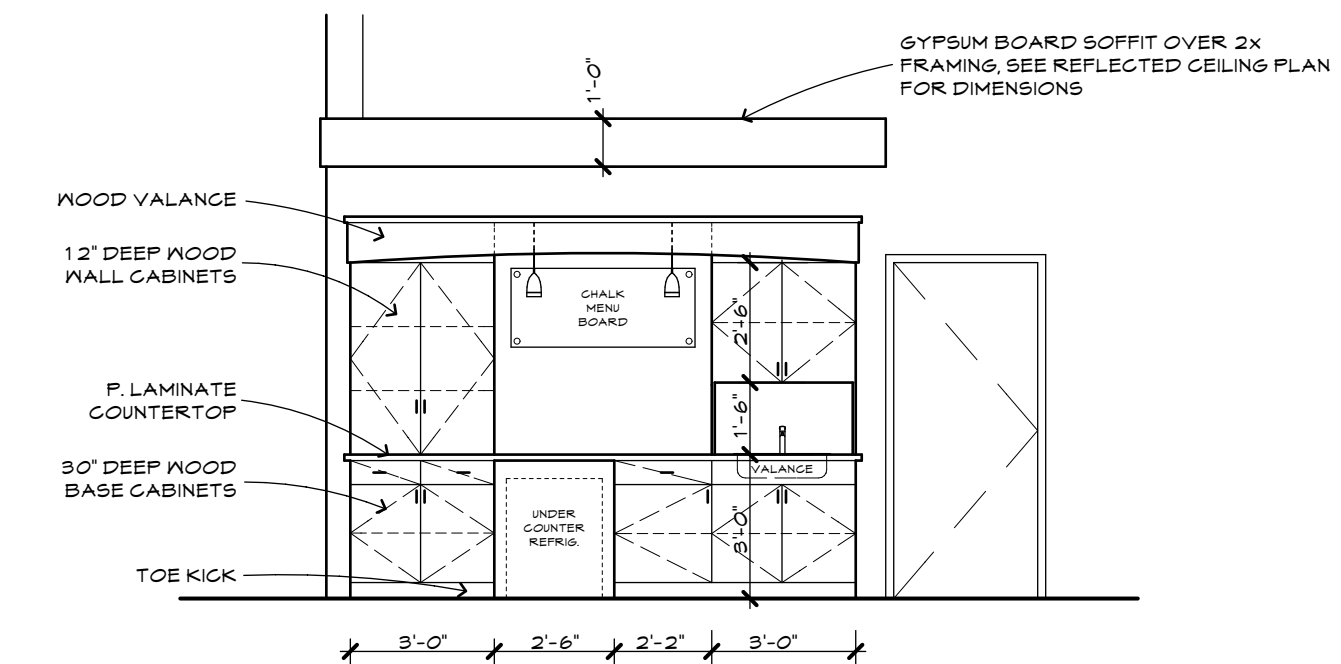
13
A7.2 INTERIOR ELEVATION - RM 117
Scale 1/4" = 1' - 0"



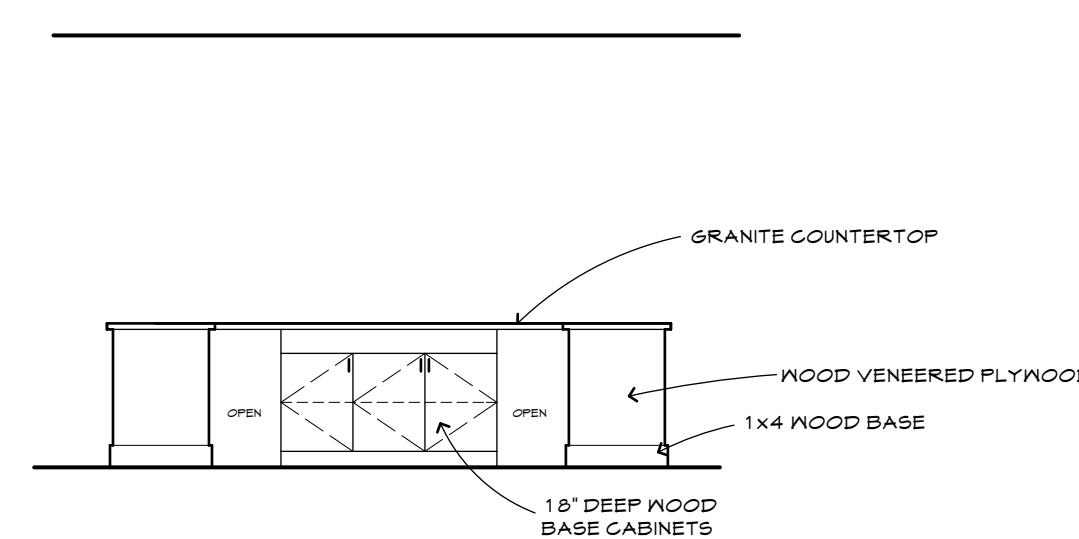
14
A7.2 INTERIOR ELEVATION - RM 117
Scale 1/4" = 1' - 0"



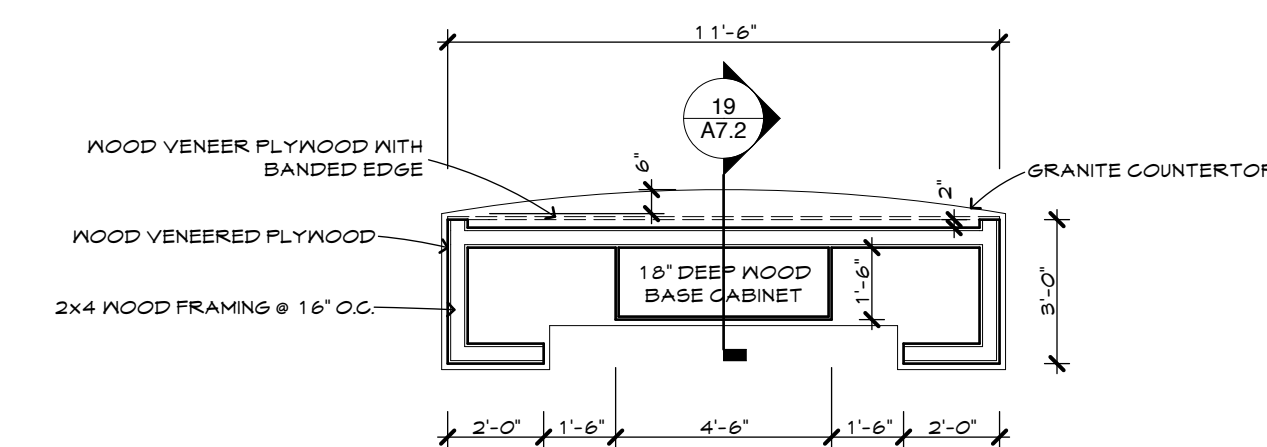
15
A7.2 INTERIOR ELEVATION - RM 117
Scale 1/4" = 1' - 0"



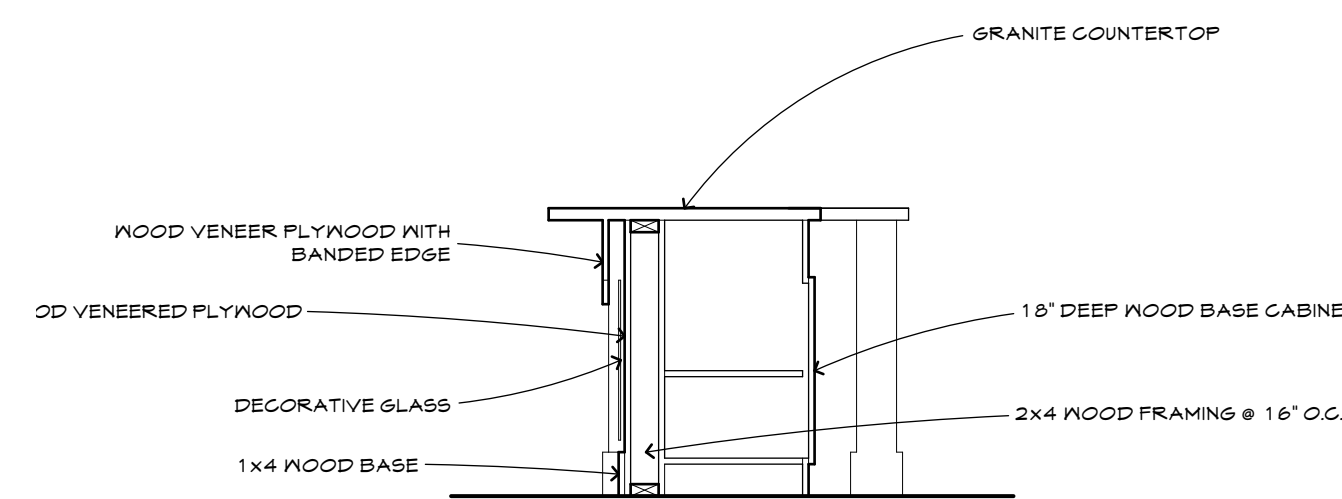
16
A7.2 INTERIOR ELEVATION - RM 120
Scale 1/4" = 1' - 0"



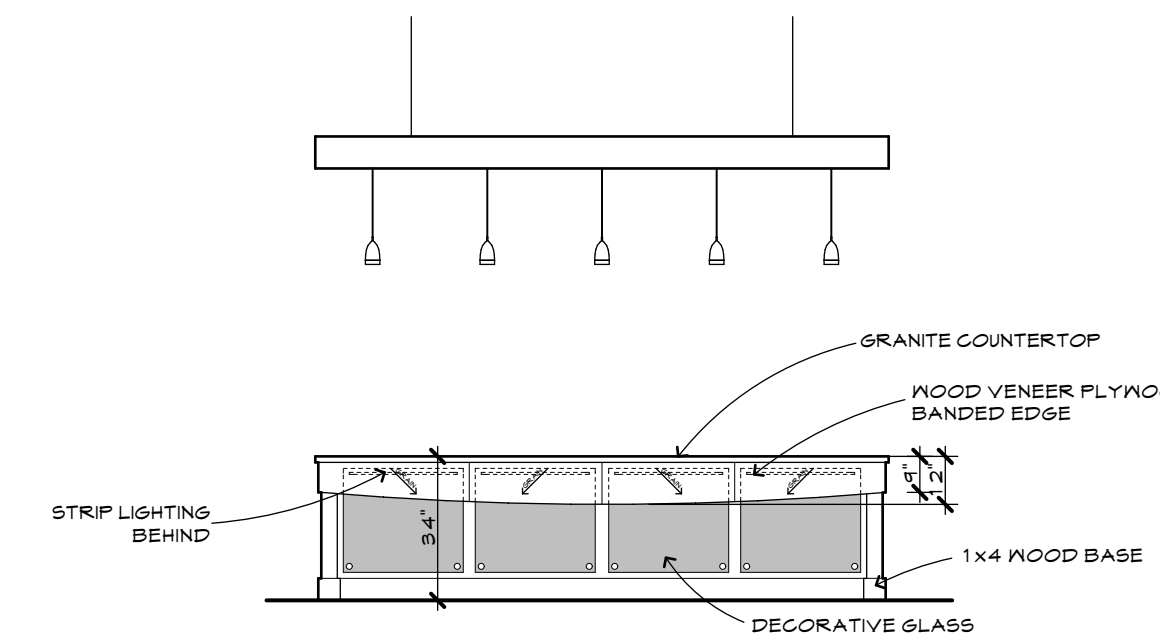
17
A7.2 INTERIOR ELEVATION - RM 120
Scale 1/4" = 1' - 0"



18
A7.2 CABINET PLAN - RM 120
Scale 1/4" = 1' - 0"



19
A7.2 CABINET SECTION - RM 120
Scale 1/2" = 1' - 0"



20
A7.2 INTERIOR ELEVATION - RM 120
Scale 1/4" = 1' - 0"

PEACE LUTHERAN CHURCH
100 Red River Avenue North
Cold Spring, MN 56320

REVISION _____ DATE _____

I hereby certify that this plan, specification, or report was prepared by me or under my direct supervision and that I am a duly Licensed Architect under the laws of the State of Minnesota.
Print Name: Lon Negen
Signature: *Lon Negen*

Date: March 31, 2010 License No: 41402

Interior Elevations

COMM. NO.: _____
SCALE: _____
DATE: MARCH 31, 2010
DRAWN BY: LAE

Construction Document

A7.2