

**ADDENDA #3**

Date: April 20, 2010

**PROJECT:**

Peace Lutheran Church  
1000 Red River Avenue No.  
Cold Spring, MN 56320

**Make the following revisions to drawings and specifications previously issued.**

**GENERAL:**

(None)

**SPECIFICATIONS:**

**08620 – Unit Skylights**

Skylights are to be “non-operable”, wiring diagram is not required.  
Skylights to be installed in pitched roof, not “flat”.

**DRAWINGS**

**M0.2 – Mechanical Specifications.** Refer to specifications under “Plumbing”. Contractor IS required to provide all plumbing fixtures, they are NOT being furnished by Owner.

**M1.1 – HVAC Plan and Schedule.** See attached revision.

**APPROVALS**

<b>Section</b>	<b>Item</b>	<b>Manufacturer/Model</b>
----------------	-------------	---------------------------

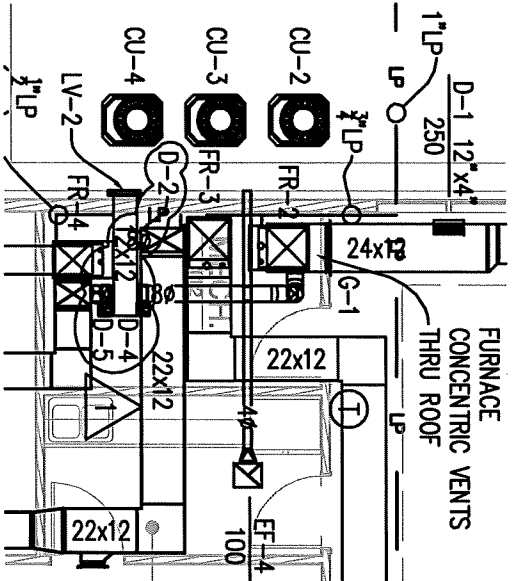
(None)



***Lon D. Negen, AIA, CID***  
***Principal***

Registration Number 41402

Date: April 20, 2010



1  
M1.1

MECHANICAL ROOM

1/8" = 1'-0"

MARK	TYPE	SIZE			NORMAL POSITION	AIR FLOW		UNIT SERVED	AIR TYPE	REMARKS
		WIDTH	DEPTH	HEIGHT		MAX CFM	MIN CFM			
D-1	MD	10"	-	-	NC	300	0	FR-1	OA	SEE NOTES
D-2	MD	8"	-	-	NC	250	0	FR-3	OA	SEE NOTES
D-3	MD	8"	-	-	NC	250	0	FR-5	OA	SEE NOTES
D-4	MD	8"	-	-	NC	250	0	FR-2	OA	SEE NOTES
D-5	MD	8"	-	-	NC	250	0	FR-4	OA	SEE NOTES

- ZONE DAMPER SCHEDULE NOTES:**
1. SPRING RETURN WHEN POWER IS OFF.
  2. JOHNSON CONTROLS DAMPER MOTOR: M8208-AGA OR EQUIVALENT.
  3. INSTALLATION AS PER MANUFACTURER
  4. ACCEPTABLE MANUFACTURERS: SEE SPECIFICATIONS.

- ABBREVIATIONS**
- B - BAROMETRIC
  - E - ELECTRIC
  - EA - EXHAUST AIR
  - EL - ELECTRONIC
  - M - MODULATING
  - N.C. - NORMALLY CLOSED
  - N.O. - NORMALLY OPEN
  - OA - OUTSIDE AIR
  - P - PNEUMATIC
  - RA - RETURN AIR
  - RLFA - RELIEF AIR
  - TP - TWO POSITION
- DAMPER TYPES**
- BD - BY-PASS DAMPER
  - FD - FIRE DAMPER
  - FSD - FIRE/SMOKE DAMPER
  - MD - MOTORIZED DAMPER
  - ZD - ZONE DAMPER

REVISIONS:

No.	Date	Action
1	4-20-10	REVIEW CHANGES

HVAC PLAN AND SCHEDULE

PEACE LUTHERAN CHURCH

COLD SPRING, MN

Project No.: 3028  
 Date: 4-20-10  
 Drawn by: RHL  
 Checked by: RHL

M1.1A of 1

I hereby certify that this plan, specification or report was prepared by me or under my direct supervision and that I am a duly Licensed Engineer under the laws of the state of Minnesota.

For Myself: [Signature]  
 PEACE LUTHERAN CHURCH  
 COLD SPRING, MN

4-20-10